

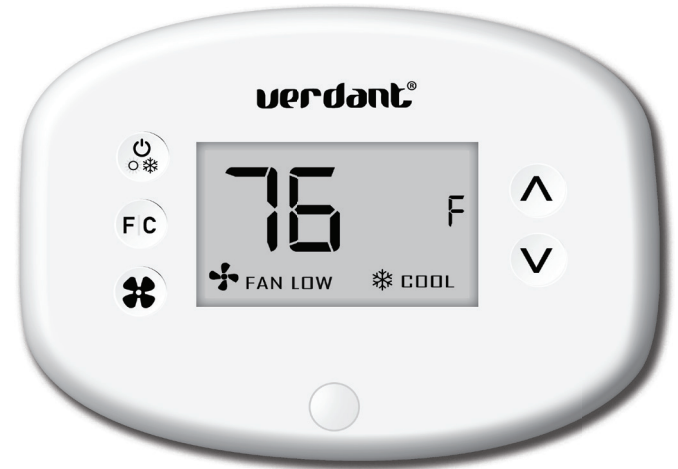
VX Series

Energy Management Thermostat

Model: VX-RSR

Wired RS485 Compatible Thermostat

- Easy-to-use Thermostat
- Compatible with VRF, VRV & Mini-Split Systems
- Unparalleled Energy Savings
- Uncompromising Guest Comfort
- Quick-and-Easy Installation
- Remote Management Capabilities*



The Verdant VX Series Thermostat delivers unprecedented energy savings without compromising guest comfort.

An Integrated occupancy sensor reduces HVAC energy use when rooms are unoccupied.

Energy saving presets eliminate guesswork and make it easy to adjust the energy saving settings.

A patented "Night Occupancy" feature ensures comfort while guests are sleeping.

Built-in wireless mesh-networking enables optional remote management features.

Fully configurable settings allow for customization of energy savings to fit any situation.

- **Temperature Setback** automatically adjusts the temperature when rooms are unoccupied to save energy.
- **Temperature Recovery** allows for setting a maximum time permitted for establishing a comfortable room temperature.
- **Setback Optimization** monitors the temperature recovery rate and optimizes setback temperatures.
- **Setback Limits** control the maximum and minimum room temperature when a room is in setback mode.
- **Set Point Limits** prevent guests from setting the room temperature to extreme, energy-wasting levels.

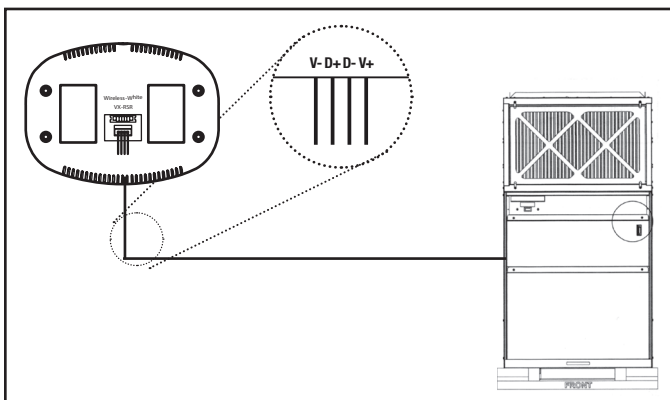
Thermostat Installation - Wiring Table

Wiring Table

Wire Color	Terminal Letter
RED	V+
BROWN	D+
BLUE	D-
GREEN	V-

	Thermostat
Case Dimensions (Imperial)	4.02 x 5.51" x 0.93"
Case Dimensions (Metric)	102mm x 140mm x 23.5mm
Screen Dimensions (Imperial)	3.63" x 2.13"
Screen Dimensions (Metric)	92mm x 54mm
Operating Voltage	12V AC/DC
Control Outputs	V+
	D+
	D-
	V-
Occupancy Sensor Beam Width	±47° [94°]
Wireless Frequency	902-928MHz
Temperature Accuracy	±1°F
FCC ID	XEYWX
IC	8410A-WX

Installation



THIS DEVICE COMPLIES WITH PART 15 OF THE FCC RULES. OPERATION IS SUBJECT TO THE FOLLOWING TWO CONDITIONS: (1) THIS DEVICE MAY NOT CAUSE HARMFUL INTERFERENCE, AND (2) THIS DEVICE MUST ACCEPT ANY INTERFERENCE RECEIVED, INCLUDING INTERFERENCE THAT MAY CAUSE UNDESIRABLE OPERATION.

PURSUANT TO PART 15.21 OF THE FCC RULES, ANY CHANGES OR MODIFICATIONS TO THIS EQUIPMENT NOT EXPRESSLY APPROVED BY VERDANT ENVIRONMENTAL TECHNOLOGIES, INC. MAY VOID THE USER'S AUTHORITY TO OPERATE THE EQUIPMENT.

US PATENTS: 8,369,994; 8,141,791; 7,918,406; 7,841,542; 7,838,803; RE40,437; 7,232,075; 7,185,825; 7,156,318; 7,152,806; 7,145,110; 7,058,477; 7,050,026; 7,028,912; 6,902,117; 6,789,739; 6,786,421; 6,619,555; 6,581,846; 6,578,770; CANADIAN PATENTS: CA2615065; CA2633113; CA2633121; CA2633200; OTHER PATENTS PENDING.

Verdant Environmental Technologies, Inc. reserves the right to make changes, without notice, in design or components as progress in engineering and manufacturing methods may warrant. Product appearance may vary. © Verdant Environmental Technologies, Inc. 2019